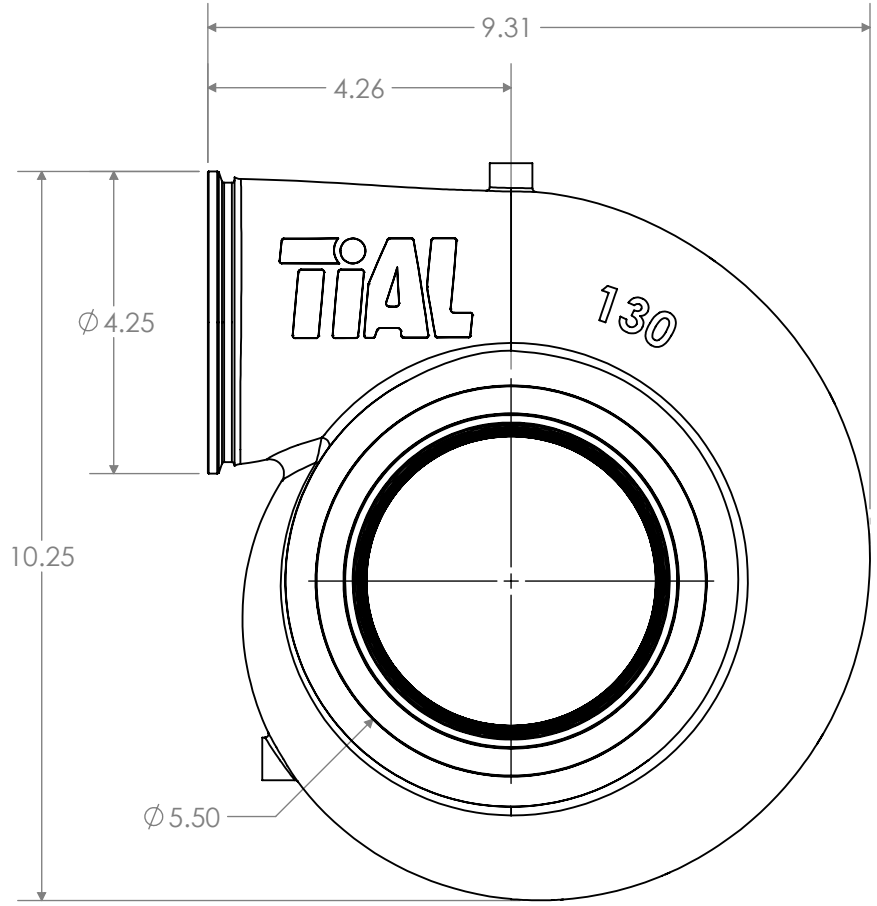
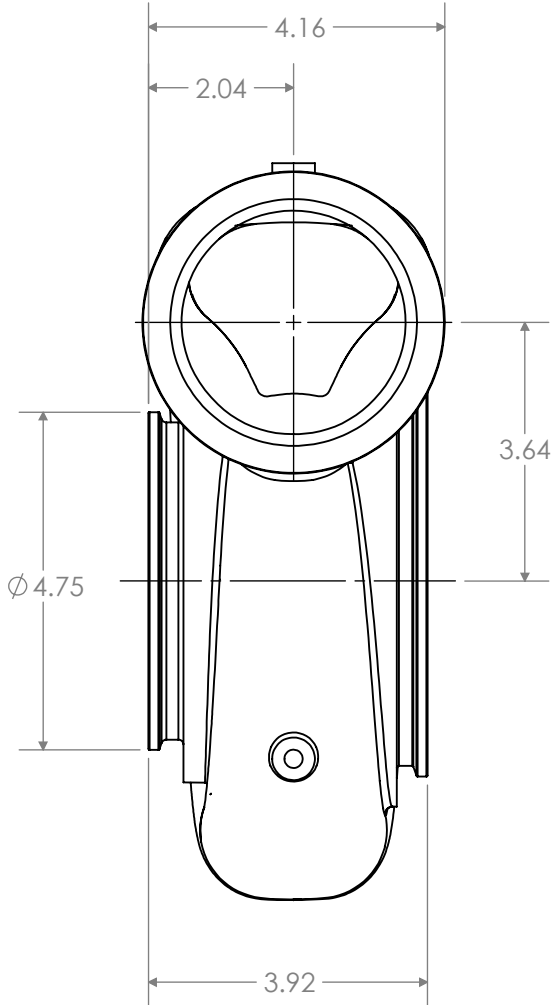


REVISIONS			
REV	DATE	DESCRIPTION	DWN
A	4/16/18	RELEASED	AJE
-	-	-	-
-	-	-	-



		<b>TIAL SPORT</b>	
<small>UNLESS OTHERWISE SPECIFIED: DIMENSIONS ARE IN INCHES ANGULAR DIMENSIONS ARE IN DEGREES</small>		<b>PART DESCRIPTION</b> <b>TIALVB GT55 130AR PUBLIC</b>	
<small>DO NOT SCALE DRAWING</small>		OP#	TYPE
SIZE <b>A</b>	PART NO.	REV <b>A</b>	
MATERIAL	DRAWN BY: AJE	DATE DRAWN: 4/16/18	CHECKED BY: XXX
		DATE CHECKED: 12/17/15	SHEET: 1 OF 1

**PROPRIETARY AND CONFIDENTIAL**  
 THE INFORMATION CONTAINED IN THIS DRAWING IS THE SOLE PROPERTY OF TIAL PRODUCTS. ANY REPRODUCTION IN PART OR AS A WHOLE WITHOUT THE WRITTEN PERMISSION OF TIAL PRODUCTS IS STRICTLY PROHIBITED.

Last saved: 9/10/2018 9:30:54 AM by: erics