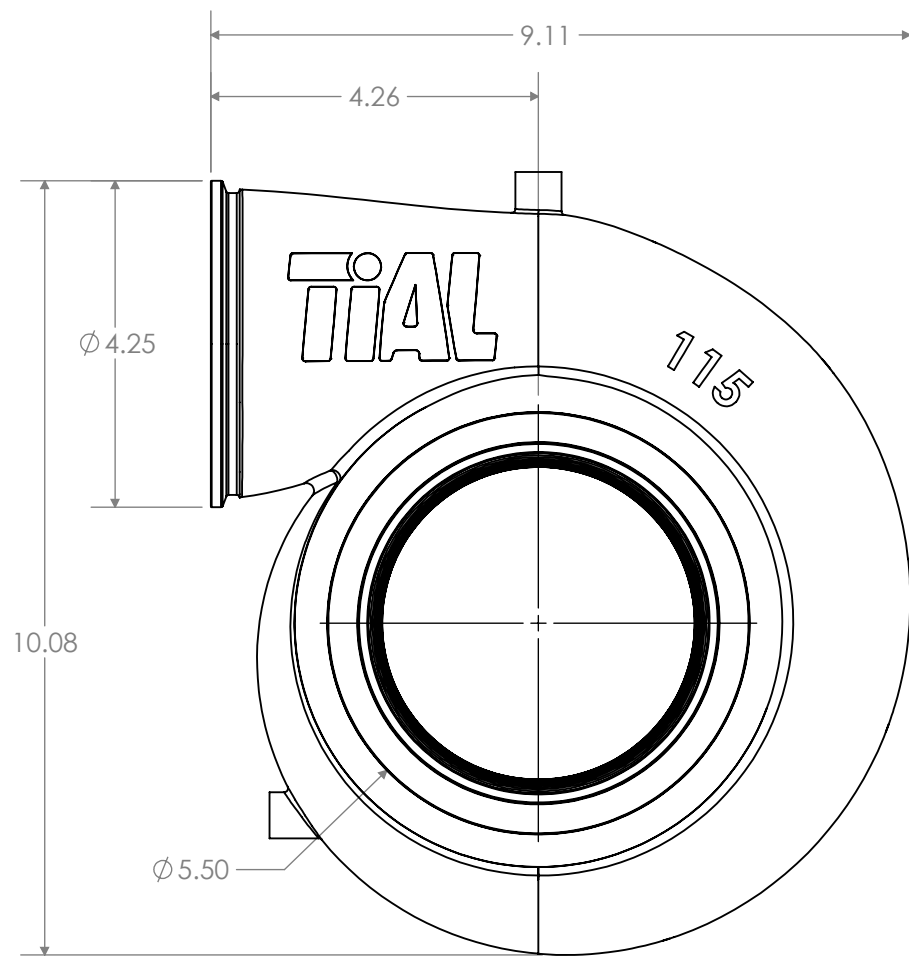
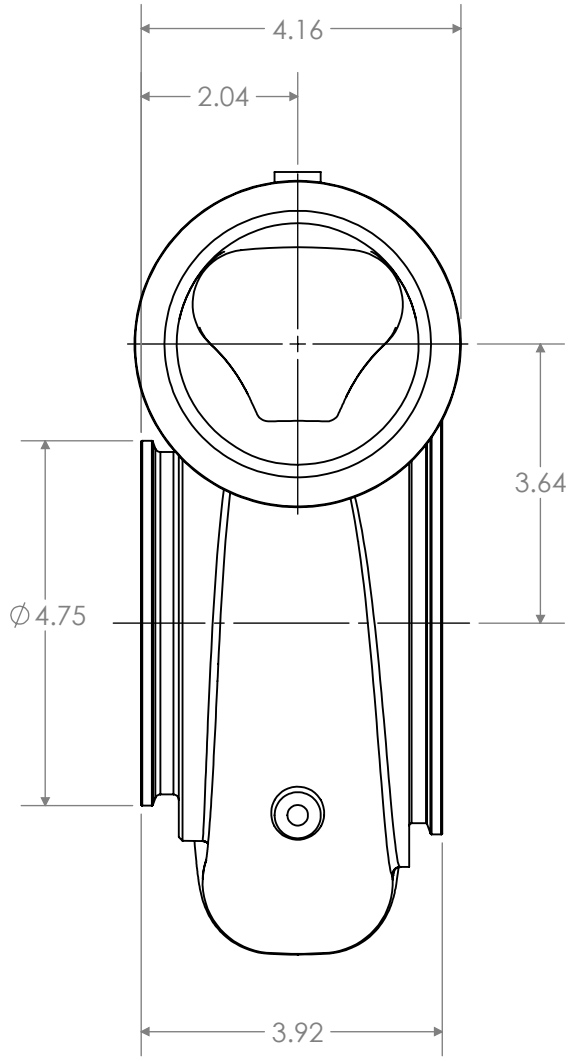


REV	DATE	REVISION	DWN
A	8/21/15	RELEASED	AIS
-	-	-	-
-	-	-	-



UNLESS OTHERWISE SPECIFIED:  
 DIMENSIONS ARE IN INCHES  
 ANGULAR DIMENSIONS ARE IN DEGREES

DO NOT SCALE DRAWING



TITLE  
**TIALVB GT55 115AR PUBLIC**

SIZE <b>A</b>	PART NO.	REV <b>A</b>
------------------	----------	-----------------

DRAWN: AIS	DATE: 8/21/15	CHECKED: JAB	SHEET: 1 OF 1
---------------	------------------	-----------------	---------------

PROPRIETARY AND CONFIDENTIAL  
 THE INFORMATION CONTAINED IN THIS DRAWING IS THE SOLE PROPERTY OF TIAL PRODUCTS.  
 ANY REPRODUCTION IN PART OR AS A WHOLE WITHOUT THE WRITTEN PERMISSION OF TIAL  
 PRODUCTS IS STRICTLY PROHIBITED.

Last saved: 6/28/2018 1:31:38 PM by: aeby