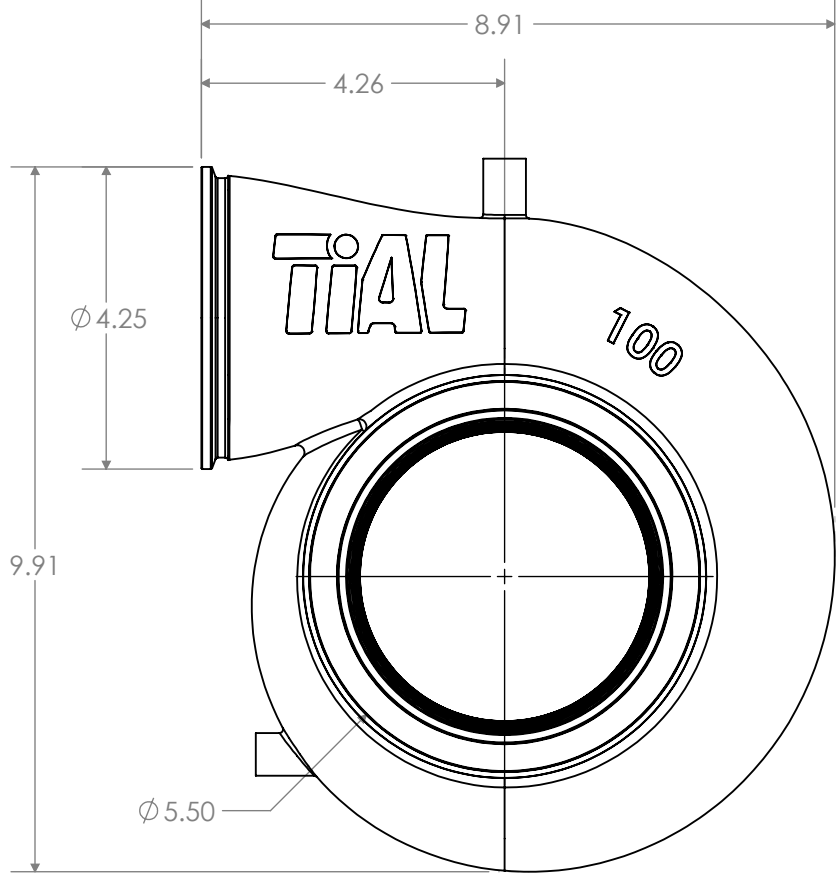
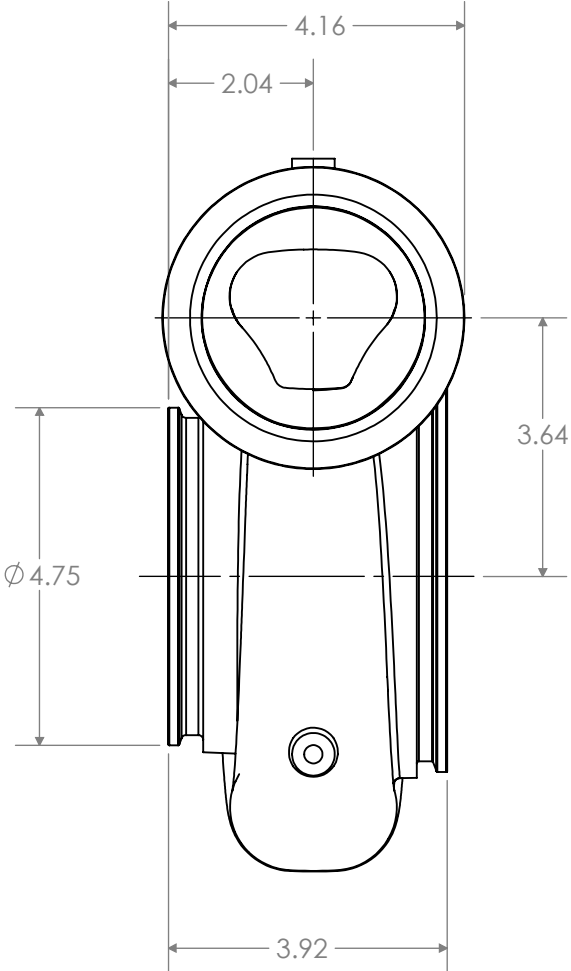


REVISIONS			
REV	DATE	DESCRIPTION	DWN
A	4/16/18	RELEASED	AJE
-	-	-	-
-	-	-	-



<p>UNLESS OTHERWISE SPECIFIED: DIMENSIONS ARE IN INCHES ANGULAR DIMENSIONS ARE IN DEGREES</p> <p>DO NOT SCALE DRAWING</p>	PART DESCRIPTION			
	TIALVB GT55 100AR PUBLIC			
	OP#	TYPE		
	SIZE	PART NO.	REV	
A		A		
MATERIAL	DRAWN BY:	DATE DRAWN:	CHECKED BY:	DATE CHECKED:
	AJE	4/16/18	XXX	12/17/15
				SHEET: 1 OF 1

PROPRIETARY AND CONFIDENTIAL
THE INFORMATION CONTAINED IN THIS DRAWING IS THE SOLE PROPERTY OF TIAL PRODUCTS. ANY REPRODUCTION IN PART OR AS A WHOLE WITHOUT THE WRITTEN PERMISSION OF TIAL PRODUCTS IS STRICTLY PROHIBITED.