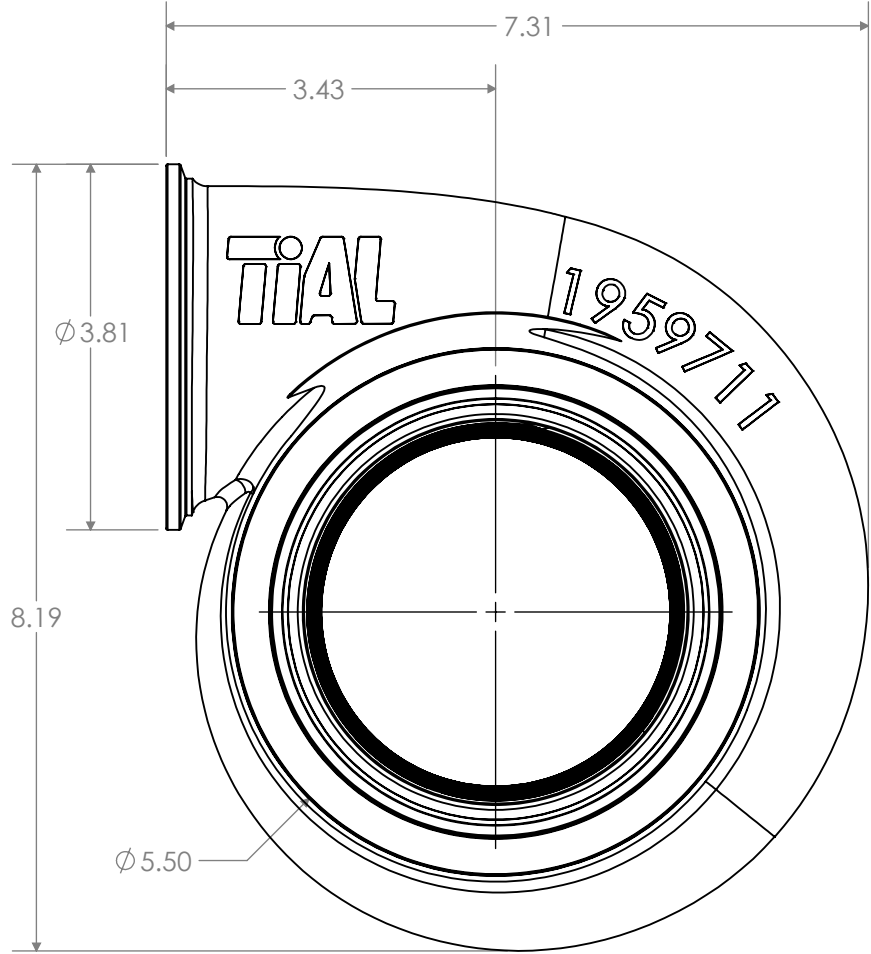
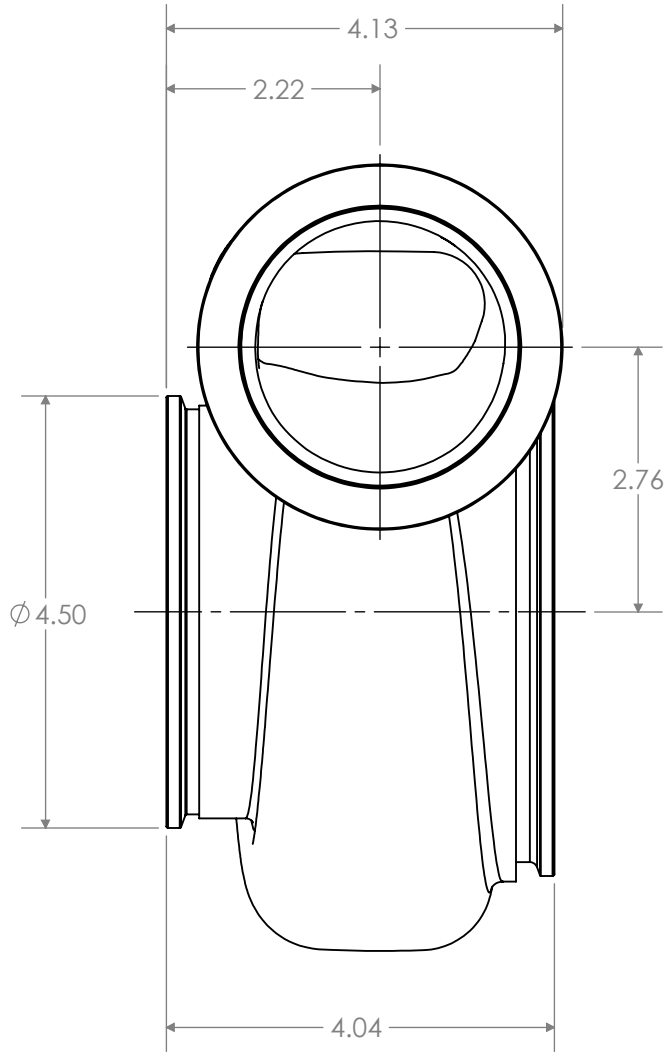
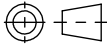



REVISIONS			
REV	DATE	DESCRIPTION	DWN
A	4/18/18	RELEASED	AJE
-	-	-	-
-	-	-	-



		TIAL PRODUCTS 450 S. SHIAWASSEE OWOSSO, MI 48867			
UNLESS OTHERWISE SPECIFIED: DIMENSIONS ARE IN INCHES ANGULAR DIMENSIONS ARE IN DEGREES		PART DESCRIPTION TIALVB GT/GTX50 117AR PUBLIC			
DO NOT SCALE DRAWING		OP#		TYPE	
SIZE A		PART NO.		REV A	
MATERIAL		DRAWN BY: AJE	DATE DRAWN: 4/18/18	CHECKED BY: XXX	DATE CHECKED: 12/17/15
				SHEET: 1 OF 1	

PROPRIETARY AND CONFIDENTIAL
 THE INFORMATION CONTAINED IN THIS DRAWING IS THE SOLE PROPERTY OF TIAL PRODUCTS. ANY REPRODUCTION IN PART OR AS A WHOLE WITHOUT THE WRITTEN PERMISSION OF TIAL PRODUCTS IS STRICTLY PROHIBITED.