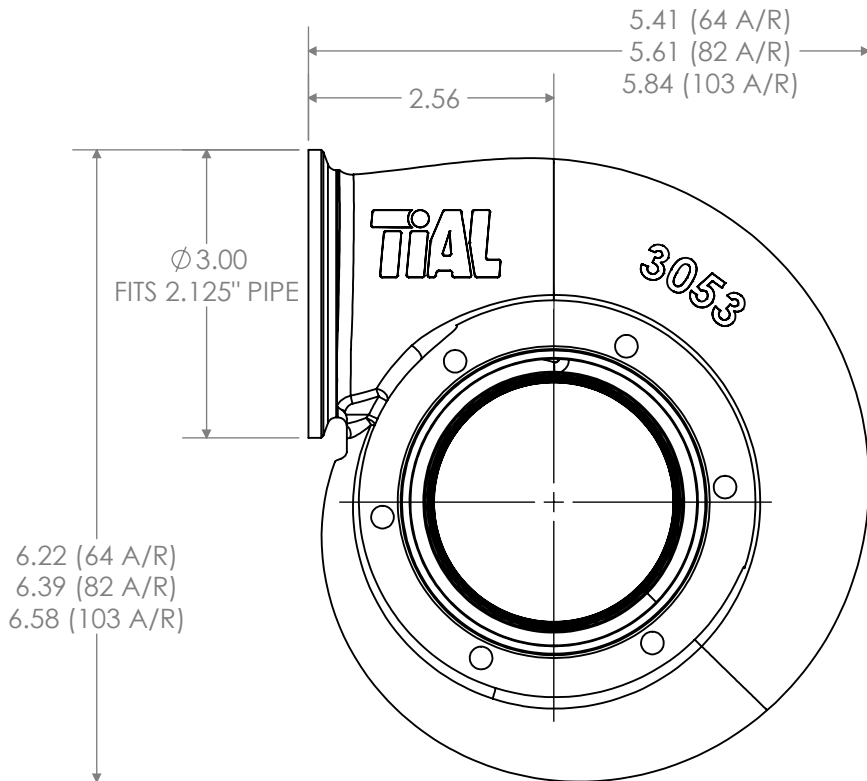
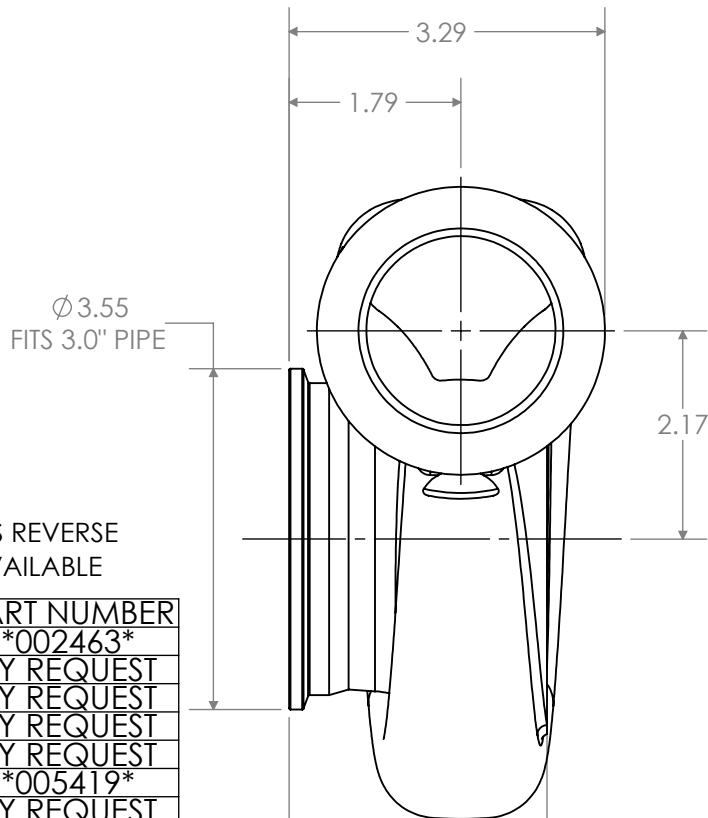


REVISIONS			
REV	DATE	DESCRIPTION	DWN
A	10/2/18	RELEASED	JAB
-	-	-	-
-	-	-	-




P/N DENOTES REVERSE ROTATION AVAILABLE

A/R	CONTOUR	PART NUMBER
64	GT35	*002463*
	GT36	BY REQUEST
	GT37	BY REQUEST
	SUPER 76	BY REQUEST
	S300	BY REQUEST
	XR64	*005419*
	XR65	BY REQUEST
	XR67	BY REQUEST
82	GT35	*002464*
	GT36	004454
	GT37	003038
	SUPER 76	004696
	S300	004915
	XR64	*005420*
	XR65	005426
	XR67	005498
103	GT35	*002461*
	GT36	004587
	GT37	002462
	SUPER 76	004663
	S300	004916
	XR64	*005417*
	XR65	005411
	XR67	005418
	XR68	*005428*

2.69 (GT, XR, S300)
2.67 (GT37, SUPER 76, XR67, XR68)

PROPRIETARY AND CONFIDENTIAL
THE INFORMATION CONTAINED IN THIS DRAWING IS THE SOLE PROPERTY OF TIAL PRODUCTS.
ANY REPRODUCTION IN PART OR AS A WHOLE WITHOUT THE WRITTEN PERMISSION OF TIAL
PRODUCTS IS STRICTLY PROHIBITED.

	
TIAL PRODUCTS 450 S. SHIAWASSEE OWOSSO, MI 48867	
UNLESS OTHERWISE SPECIFIED: DIMENSIONS ARE IN INCHES ANGULAR DIMENSIONS ARE IN DEGREES	
PART DESCRIPTION TIAL VB 35,36,37,SUPER 76 XONA XR 64,65,67,68	
DO NOT SCALE DRAWING	
SIZE A	PART NO. SEE CHART
REV A	
MATERIAL STAINLESS STEEL	DRAWN BY: - DATE DRAWN: - CHECKED BY: - DATE CHECKED: - SHEET: 1 OF 1