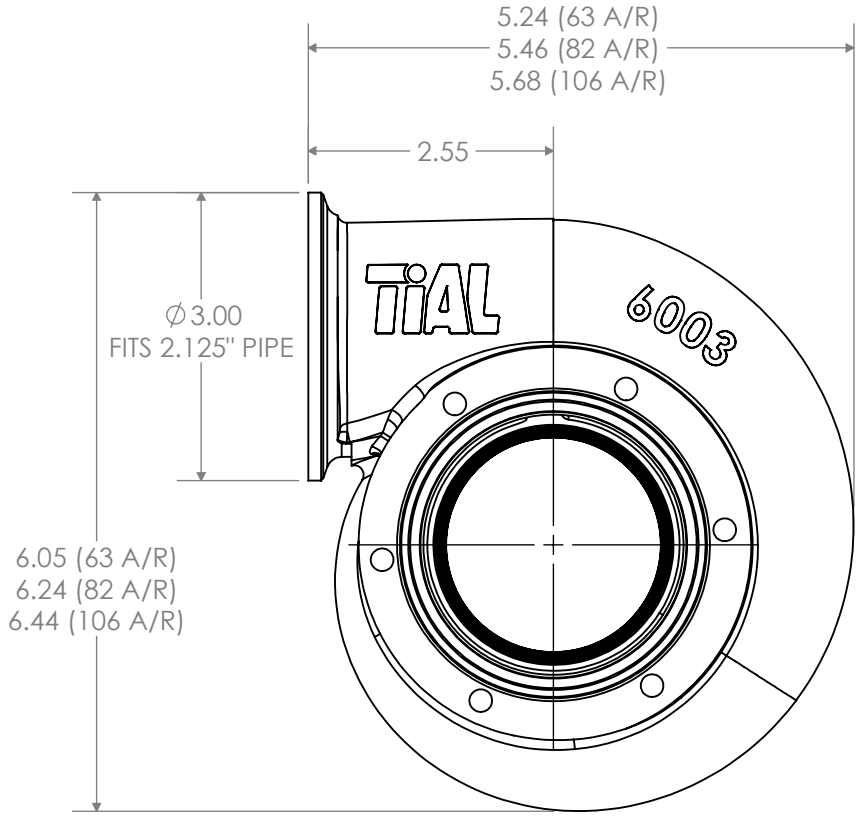
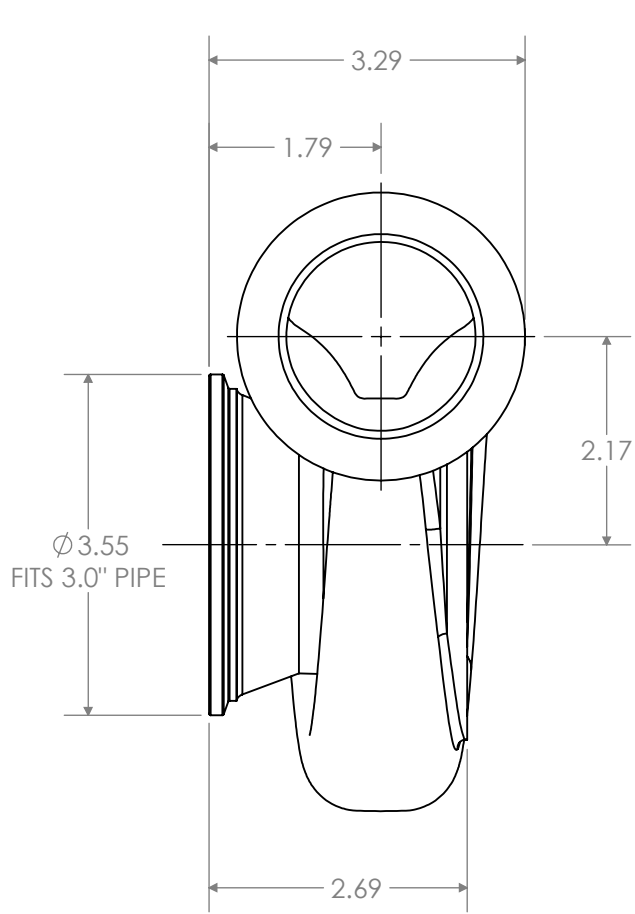
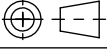




REVISIONS			
REV	DATE	DESCRIPTION	DWN
A	10/2/18	RELEASED	JAB
-	-	-	-
-	-	-	-



A/R	CONTOUR	PART NUMBER
63	GT30	002459
	XR56	005415
82	GT30	002460
	XR56	005416
106	GT30	002458
	XR56	005414

PROPRIETARY AND CONFIDENTIAL
 THE INFORMATION CONTAINED IN THIS DRAWING IS THE SOLE PROPERTY OF TIAL PRODUCTS.
 ANY REPRODUCTION IN PART OR AS A WHOLE WITHOUT THE WRITTEN PERMISSION OF TIAL
 PRODUCTS IS STRICTLY PROHIBITED.

 		TIAL PRODUCTS 450 S. SHIAWASSEE OWOSSO, MI 48867			
UNLESS OTHERWISE SPECIFIED: DIMENSIONS ARE IN INCHES ANGULAR DIMENSIONS ARE IN DEGREES				PART DESCRIPTION TIAL VB 30 XONA XR 56	
DO NOT SCALE DRAWING					
SIZE A		PART NO. SEE CHART		REV A	
MATERIAL STAINLESS STEEL		DRAWN BY: -	DATE DRAWN: -	CHECKED BY: -	DATE CHECKED: -
					SHEET: 1 OF 1