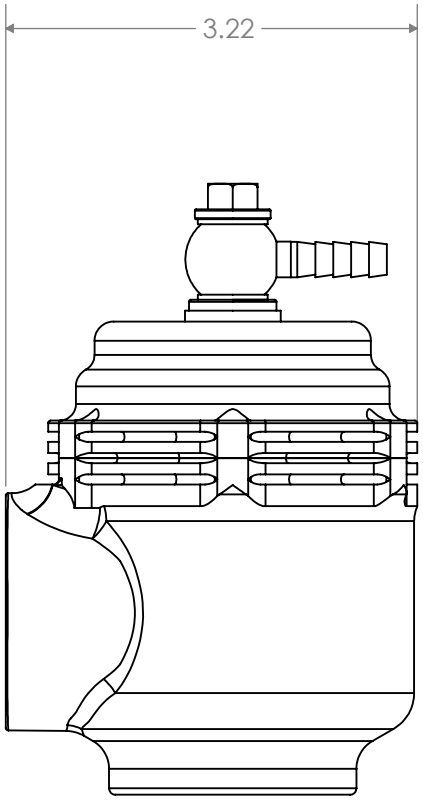
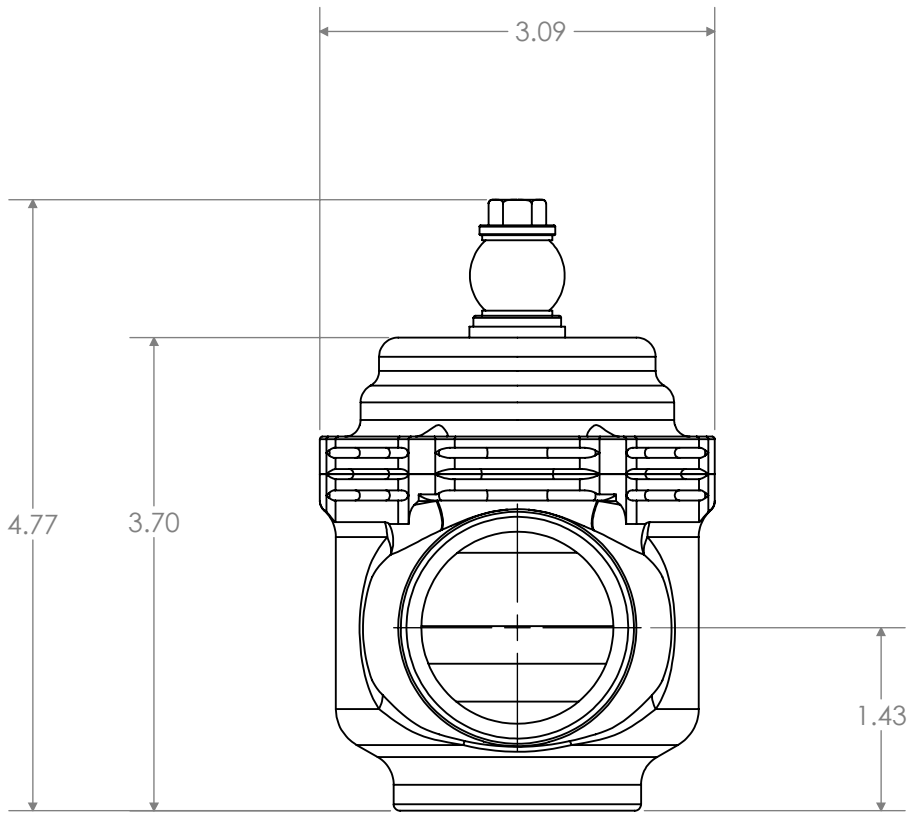


REV	DATE	RELEASED REVISION	DWN
A	2/3/14	RELEASED	JG
-	-	-	-
-	-	-	-



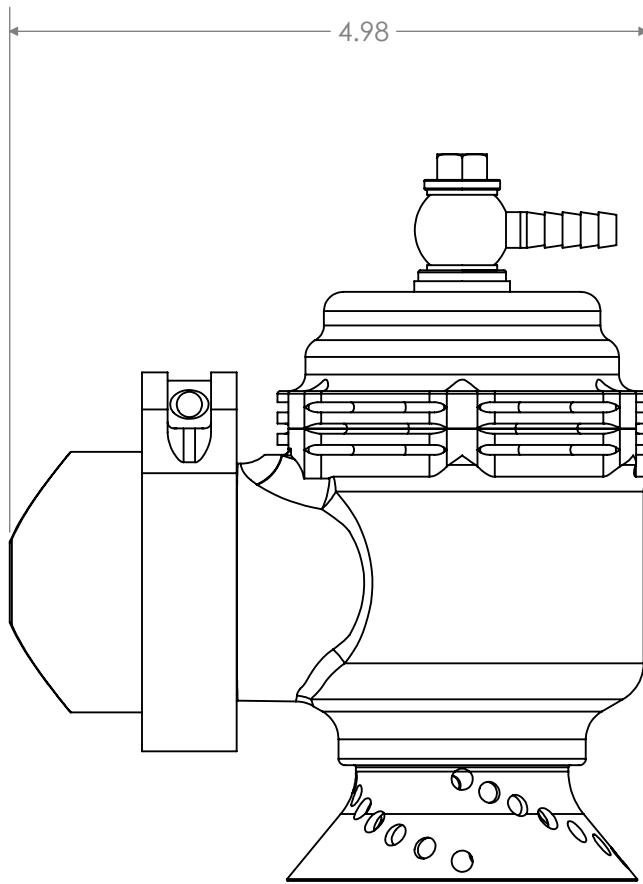
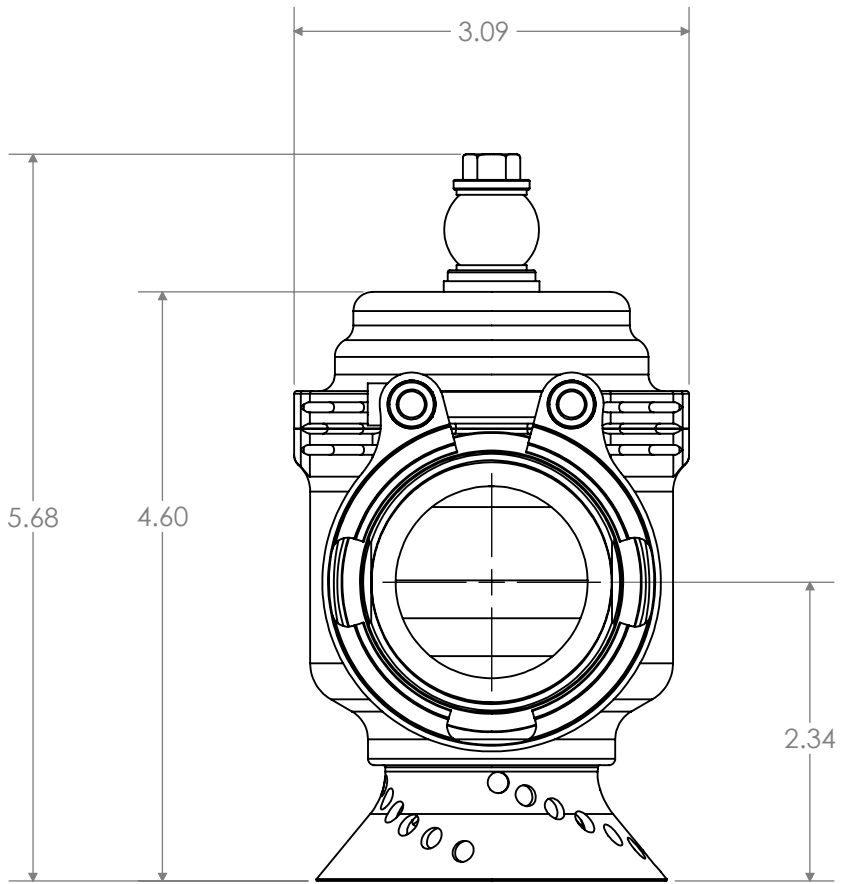
PROPRIETARY AND CONFIDENTIAL
 THE INFORMATION CONTAINED IN THIS DRAWING IS THE SOLE PROPERTY OF TIAL PRODUCTS.
 ANY REPRODUCTION IN PART OR AS A WHOLE WITHOUT THE WRITTEN PERMISSION OF TIAL
 PRODUCTS IS STRICTLY PROHIBITED.



TITLE		QRJ NO FLANGES	
SIZE	A	REV	A
DRAWN:	JG	DATE:	2/3/2014
CHECKED:	ES	SHEET:	1 OF 1

Last saved: 2/14/2014 7:38:41 AM by: Jonathan

		RELEASED	
REV	DATE	REVISION	DWN
A	2/3/14	RELEASED	JG
-	-	-	-
-	-	-	-



PROPRIETARY AND CONFIDENTIAL
 THE INFORMATION CONTAINED IN THIS DRAWING IS THE SOLE PROPERTY OF TIAL PRODUCTS.
 ANY REPRODUCTION IN PART OR AS A WHOLE WITHOUT THE WRITTEN PERMISSION OF TIAL
 PRODUCTS IS STRICTLY PROHIBITED.



TITLE
QRJ Q CONV IN DIFF OUT

SIZE A	REV A
------------------	-----------------

DRAWN: JG	DATE: 2/3/2014	CHECKED: ES	SHEET: 1 OF 1
--------------	-------------------	----------------	---------------

5

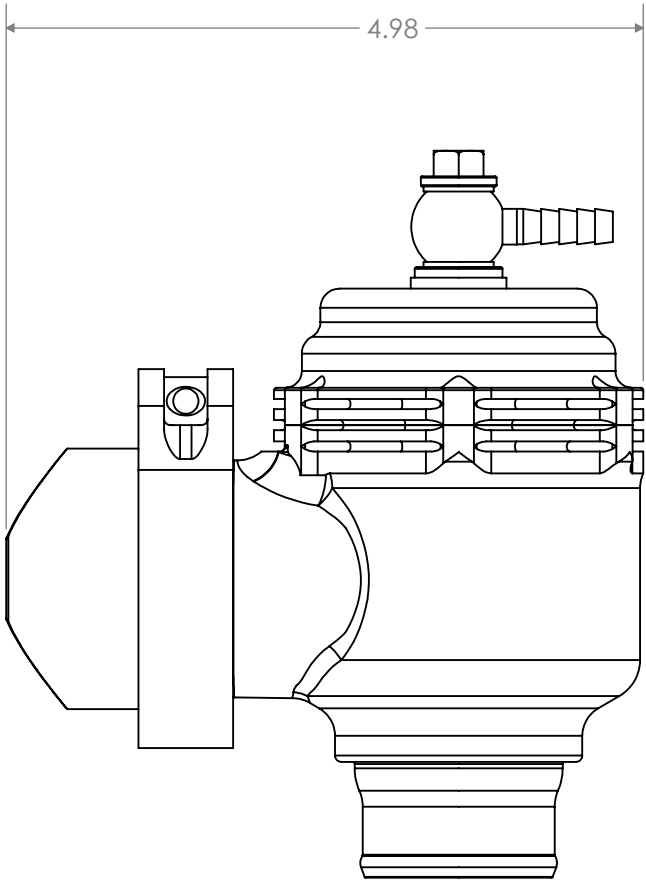
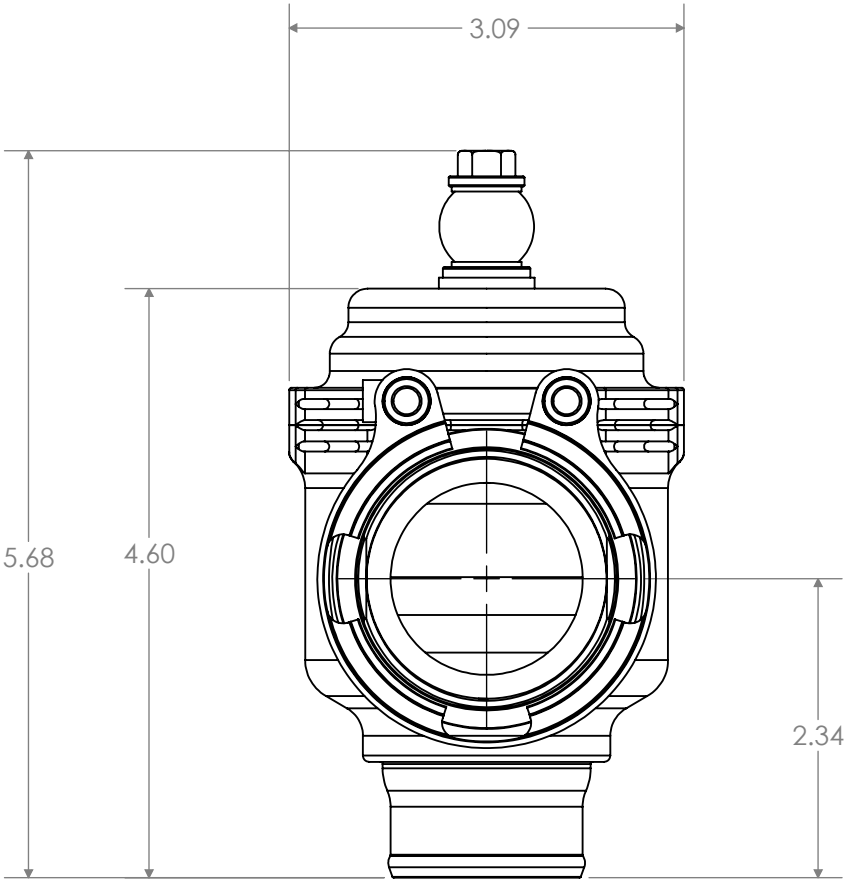
4

3

2

1

REV	DATE	RELEASED	DWN
A	2/3/14	RELEASED	JG
-	-	-	-
-	-	-	-



PROPRIETARY AND CONFIDENTIAL
 THE INFORMATION CONTAINED IN THIS DRAWING IS THE SOLE PROPERTY OF TIAL PRODUCTS.
 ANY REPRODUCTION IN PART OR AS A WHOLE WITHOUT THE WRITTEN PERMISSION OF TIAL
 PRODUCTS IS STRICTLY PROHIBITED.



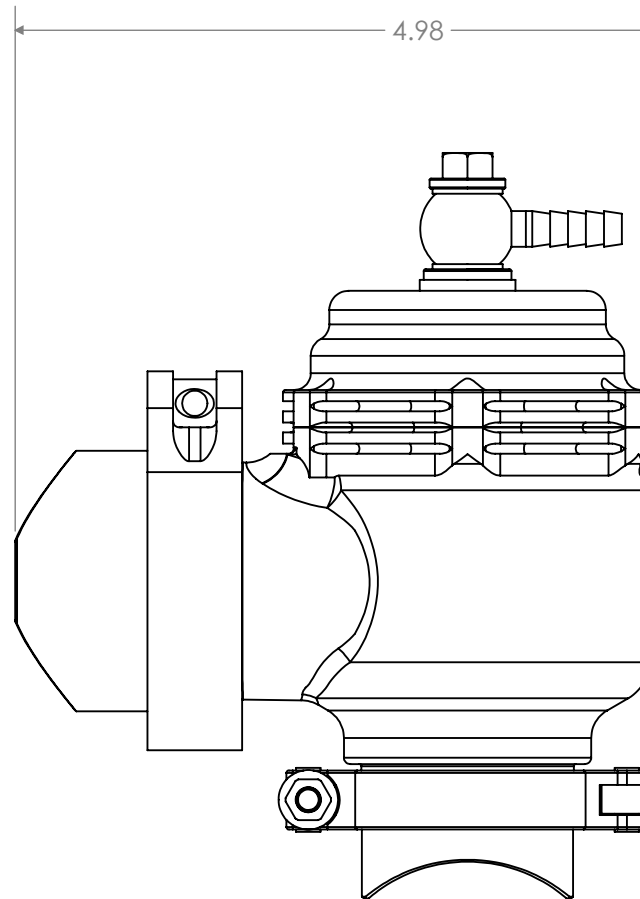
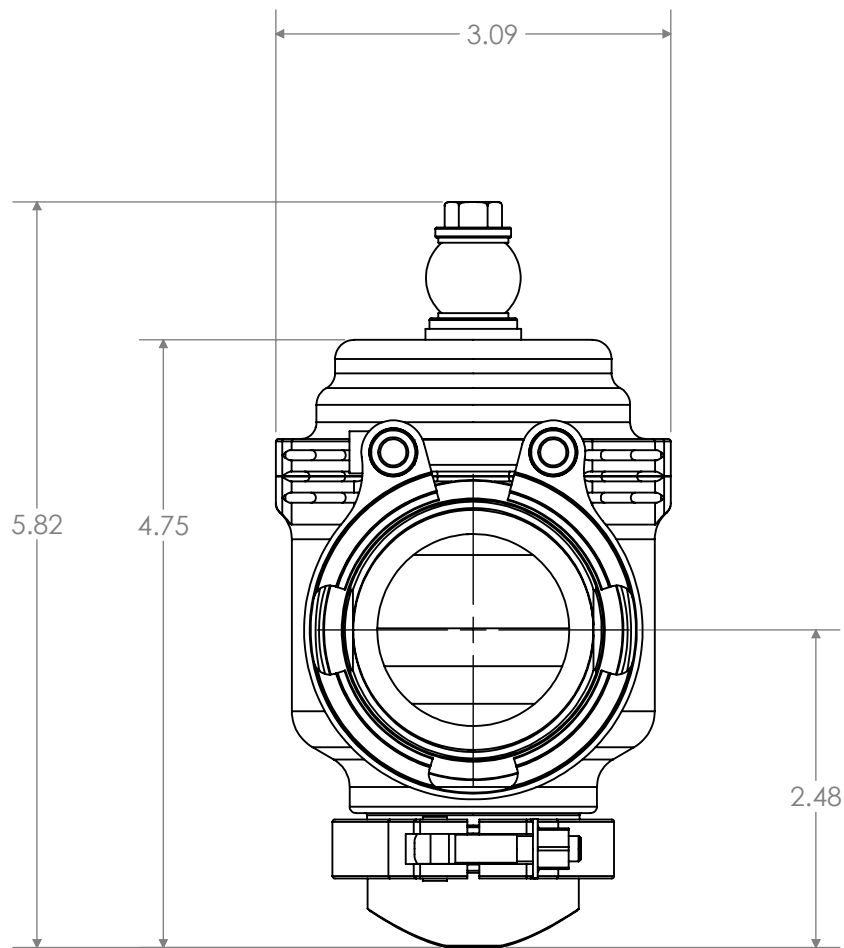
TIAL PRODUCTS, 450 S. SHIAWASSEE, OWOSSO, MI 48867

TITLE
QRJ Q CONV IN TUBE OUT

SIZE	REV
A	A

DRAWN:	DATE:	CHECKED:	SHEET:
JG	2/3/2014	ES	1 OF 1

REV	DATE	RELEASED	DWN
A	2/3/14	RELEASED	JG
-	-	-	-
-	-	-	-



PROPRIETARY AND CONFIDENTIAL
 THE INFORMATION CONTAINED IN THIS DRAWING IS THE SOLE PROPERTY OF TIAL PRODUCTS.
 ANY REPRODUCTION IN PART OR AS A WHOLE WITHOUT THE WRITTEN PERMISSION OF TIAL
 PRODUCTS IS STRICTLY PROHIBITED.



TITLE		QRJ Q CONV IN VB OUT	
SIZE	A	REV	A
DRAWN:	JG	DATE:	2/3/2014
CHECKED:	ES	SHEET:	1 OF 1

5

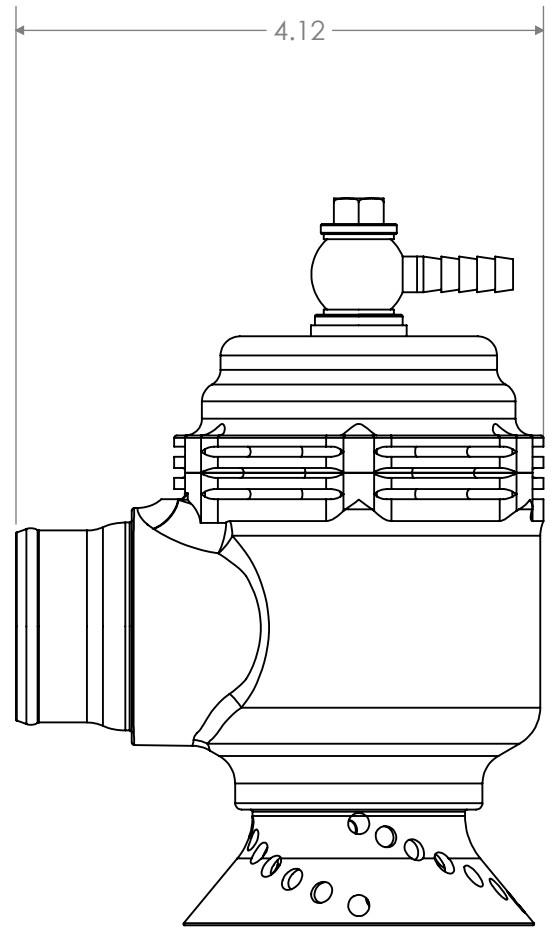
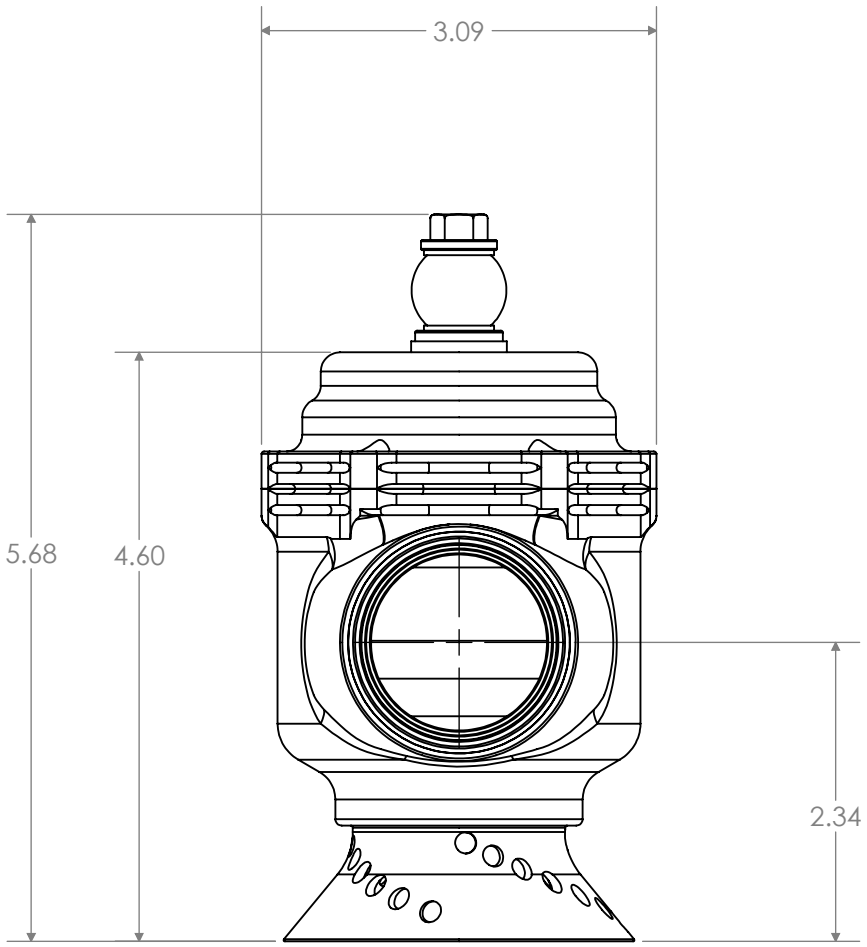
4

3

2

1

REV	DATE	RELEASED REVISION	DWN
A	2/3/14	RELEASED	JG
-	-	-	-
-	-	-	-

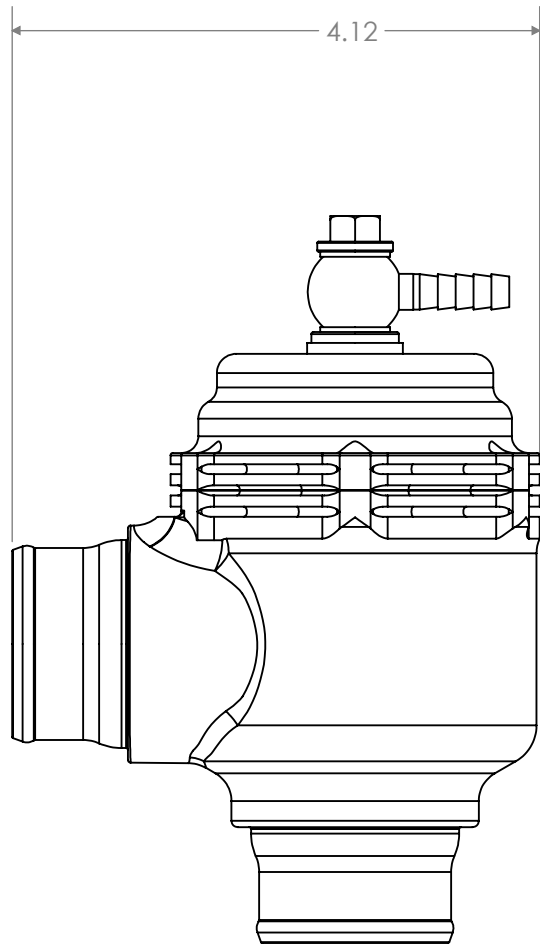
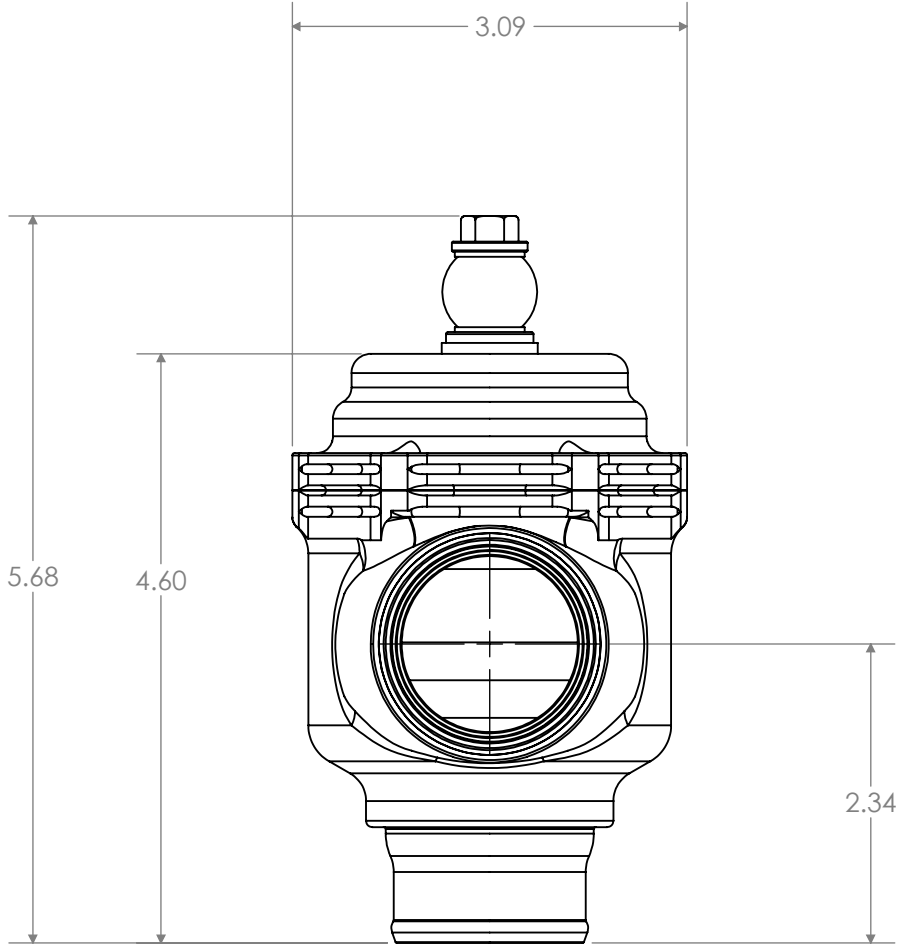


PROPRIETARY AND CONFIDENTIAL
 THE INFORMATION CONTAINED IN THIS DRAWING IS THE SOLE PROPERTY OF TIAL PRODUCTS.
 ANY REPRODUCTION IN PART OR AS A WHOLE WITHOUT THE WRITTEN PERMISSION OF TIAL
 PRODUCTS IS STRICTLY PROHIBITED.



TITLE QRJ TUBE IN DIFF OUT	
SIZE A	REV A
DRAWN: JG	DATE: 2/3/2014
CHECKED: ES	SHEET: 1 OF 1

REV	DATE	RELEASED REVISION	DWN
A	2/3/14	RELEASED	JG
-	-	-	-
-	-	-	-



PROPRIETARY AND CONFIDENTIAL
 THE INFORMATION CONTAINED IN THIS DRAWING IS THE SOLE PROPERTY OF TIAL PRODUCTS.
 ANY REPRODUCTION IN PART OR AS A WHOLE WITHOUT THE WRITTEN PERMISSION OF TIAL
 PRODUCTS IS STRICTLY PROHIBITED.



TITLE
QRJ TUBE IN TUBE OUT

SIZE
A

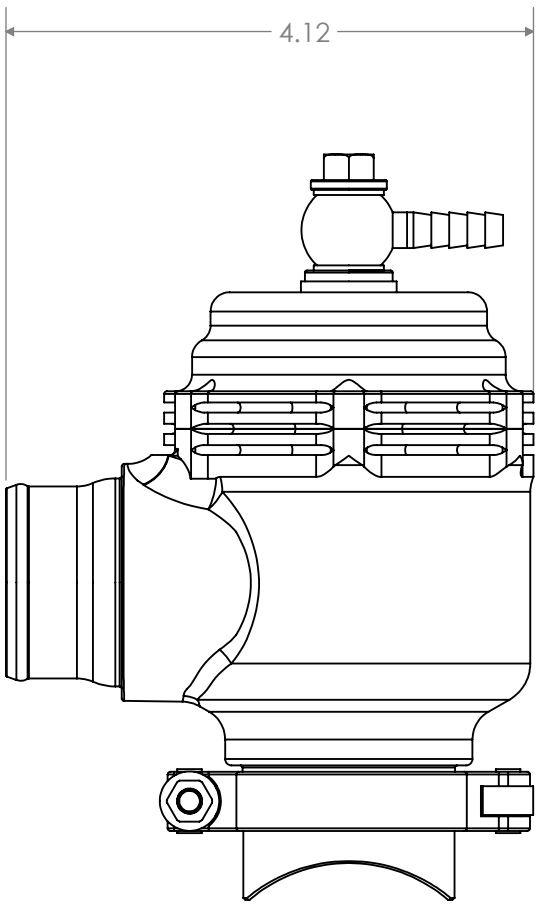
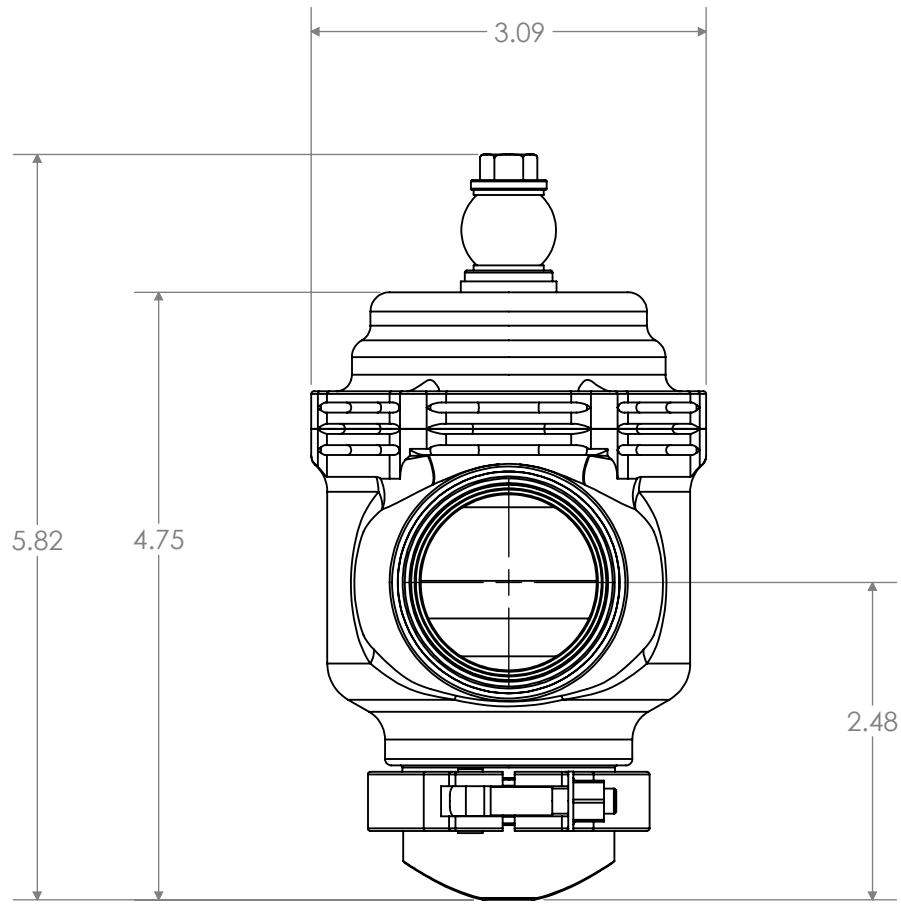
REV
A

DRAWN: JG DATE: 2/3/2014 CHECKED: ES SHEET: 1 OF 1

5 4 3 2 1

Last saved: 2/14/2014 7:37:28 AM by: Jonathan

REV	DATE	RELEASED	DWN
A	2/3/14	RELEASED	JG
-	-	-	-
-	-	-	-

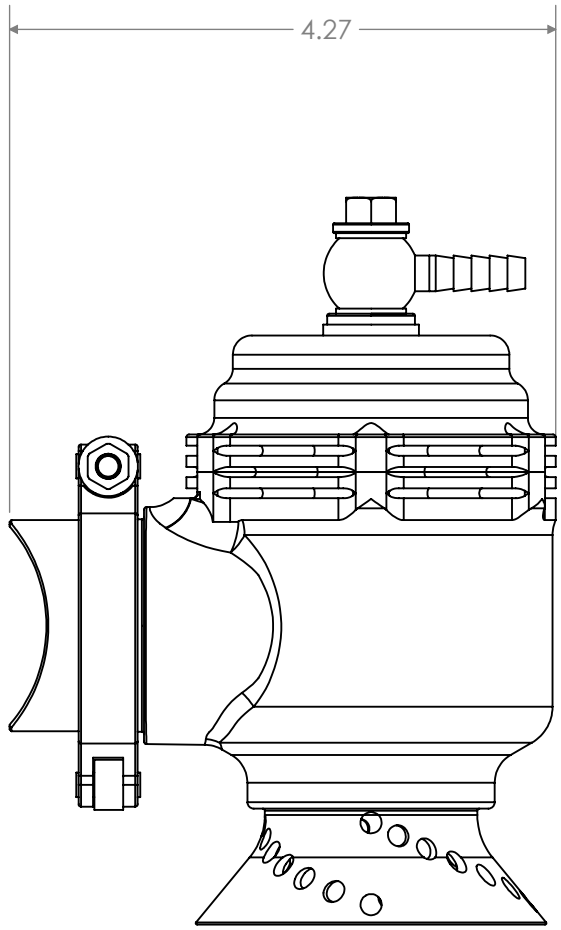
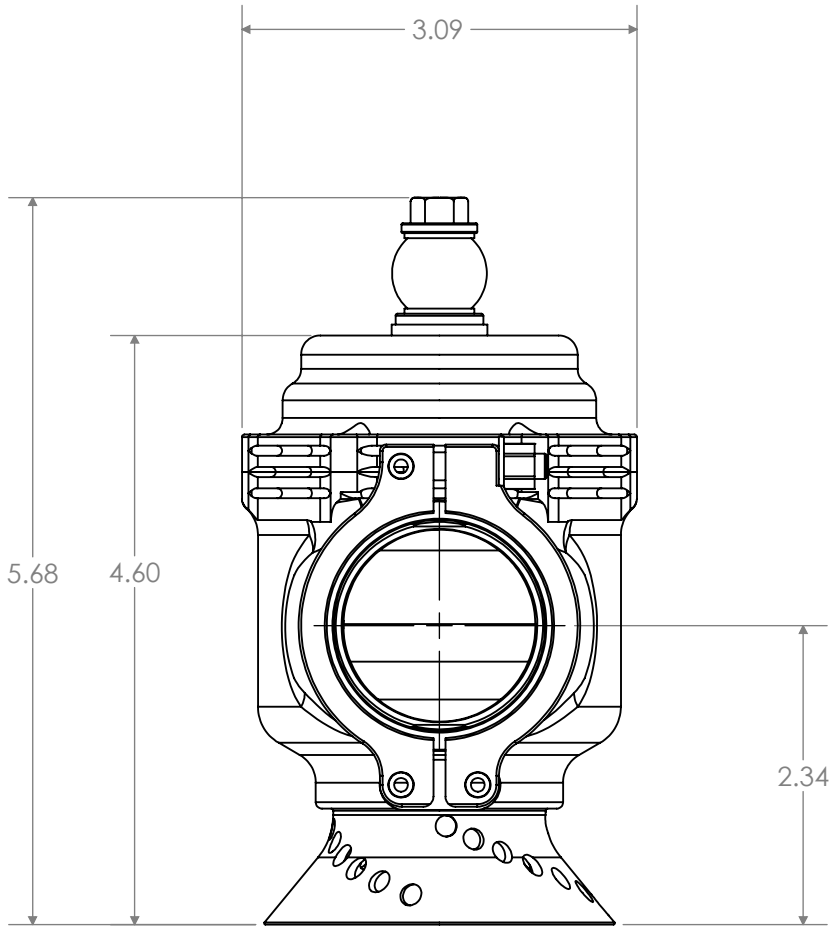


PROPRIETARY AND CONFIDENTIAL
 THE INFORMATION CONTAINED IN THIS DRAWING IS THE SOLE PROPERTY OF TIAL PRODUCTS.
 ANY REPRODUCTION IN PART OR AS A WHOLE WITHOUT THE WRITTEN PERMISSION OF TIAL
 PRODUCTS IS STRICTLY PROHIBITED.



TITLE			
QRJ TUBE IN VB OUT			
SIZE			REV
A			A
DRAWN:	DATE:	CHECKED:	SHEET: 1 OF 1
JG	2/3/2014	ES	

REV	DATE	RELEASED REVISION	DWN
A	2/3/14	RELEASED	JG
-	-	-	-
-	-	-	-



PROPRIETARY AND CONFIDENTIAL
 THE INFORMATION CONTAINED IN THIS DRAWING IS THE SOLE PROPERTY OF TIAL PRODUCTS.
 ANY REPRODUCTION IN PART OR AS A WHOLE WITHOUT THE WRITTEN PERMISSION OF TIAL
 PRODUCTS IS STRICTLY PROHIBITED.



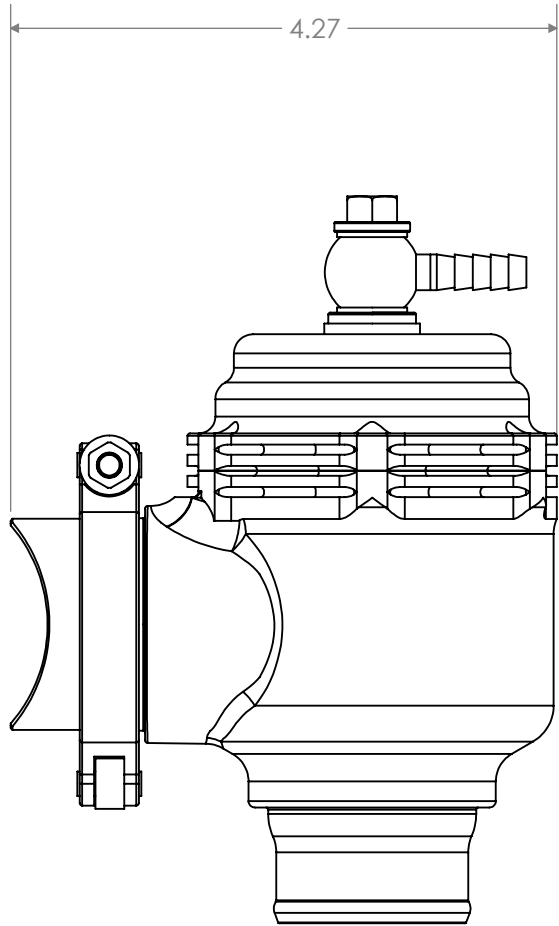
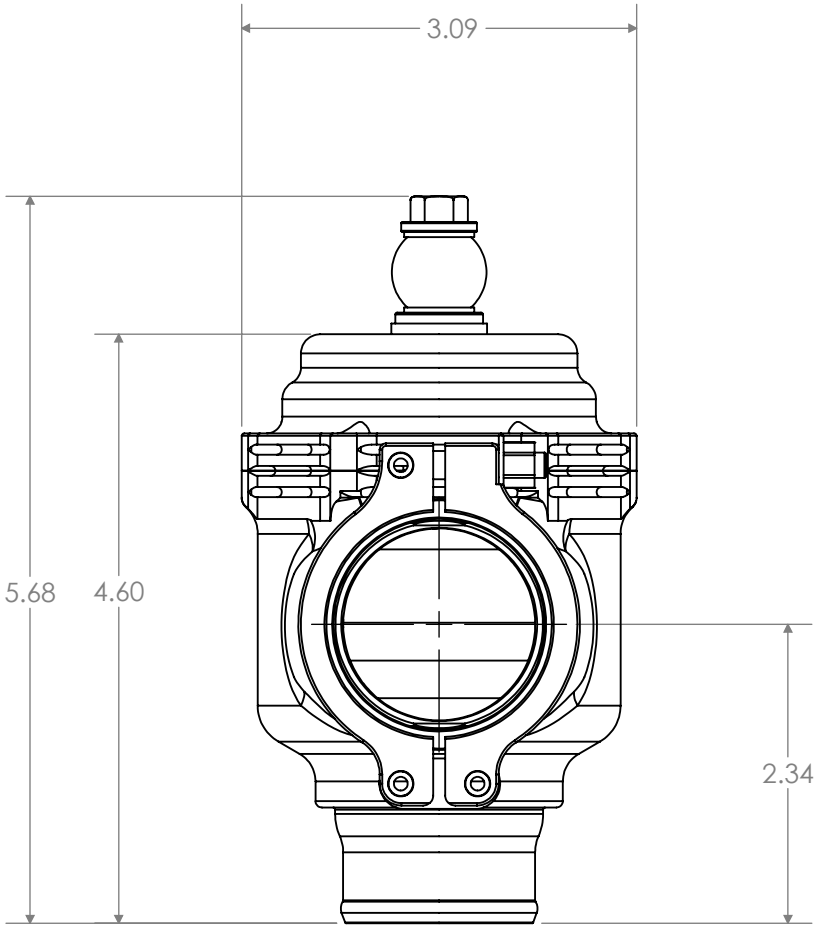
TIAL PRODUCTS, 450 S. SHIAWASSEE, OWOSSO, MI 48867

TITLE
QRJ VB IN DIFF OUT

SIZE A	REV A
------------------	-----------------

DRAWN: JG	DATE: 2/3/2014	CHECKED: ES	SHEET: 1 OF 1
--------------	-------------------	----------------	---------------

REV	DATE	RELEASED REVISION	DWN
A	2/3/14	RELEASED	JG
-	-	-	-
-	-	-	-



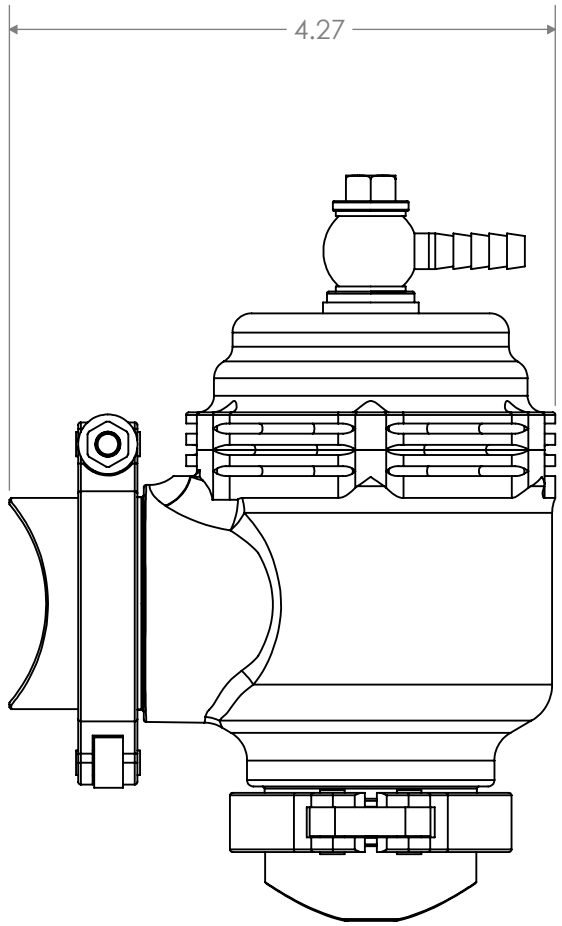
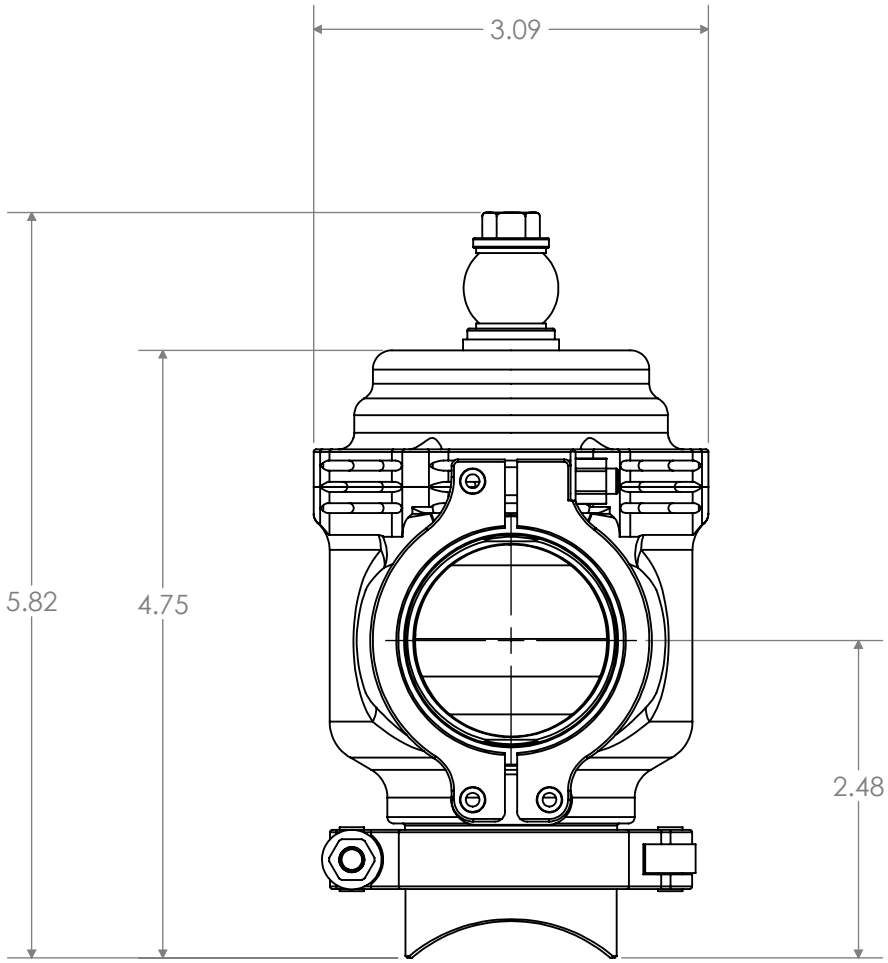
PROPRIETARY AND CONFIDENTIAL
 THE INFORMATION CONTAINED IN THIS DRAWING IS THE SOLE PROPERTY OF TIAL PRODUCTS.
 ANY REPRODUCTION IN PART OR AS A WHOLE WITHOUT THE WRITTEN PERMISSION OF TIAL
 PRODUCTS IS STRICTLY PROHIBITED.



TIAL PRODUCTS, 450 S. SHIAWASSEE, OWOSSO, MI 48867

TITLE		QRJ VB IN TUBE OUT	
SIZE	A	REV	A
DRAWN:	JG	DATE:	2/3/2014
CHECKED:	ES	SHEET:	1 OF 1

REV		DATE	RELEASED REVISION	DWN
A		2/3/14	RELEASED	JG
-		-	-	-
-		-	-	-



PROPRIETARY AND CONFIDENTIAL
 THE INFORMATION CONTAINED IN THIS DRAWING IS THE SOLE PROPERTY OF TIAL PRODUCTS.
 ANY REPRODUCTION IN PART OR AS A WHOLE WITHOUT THE WRITTEN PERMISSION OF TIAL
 PRODUCTS IS STRICTLY PROHIBITED.



TITLE		QRJ VB IN VB OUT	
SIZE	A	REV	A
DRAWN:	JG	DATE:	2/3/2014
CHECKED:	ES	SHEET:	1 OF 1

5

4

3

2

1

Last saved: 2/14/2014 7:40:09 AM by: Jonathan